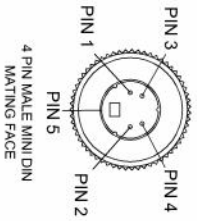


Revision Notes.

R1 - CROSS SECTIONAL DETAIL UPDATED.	Checked: H.BUTLER	Approved: D.KERAI	Date: 10/05/12
APA: -	Drawn: -		
R2 - DIMENSIONS/TOLERANCES CHANGED TO CORRECTLY REFLECT CURRENT PRODUCT.	Checked: G.PUTHI	Approved: S.JOHN	Date: 05/03/13
APA: X.HUANG	Drawn: RBARTES		

CONNECTOR A



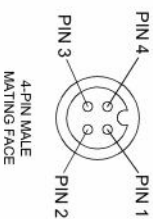
PIN #	WIRE COLOUR	DESCRIPTION
1	YELLOW	VIDEO
2	RED	12 VDC
3	N/A	NOT CONNECTED
4	WHITE	AUDIO
5	BLACK/SHIELD	GROUND

CONNECTOR B

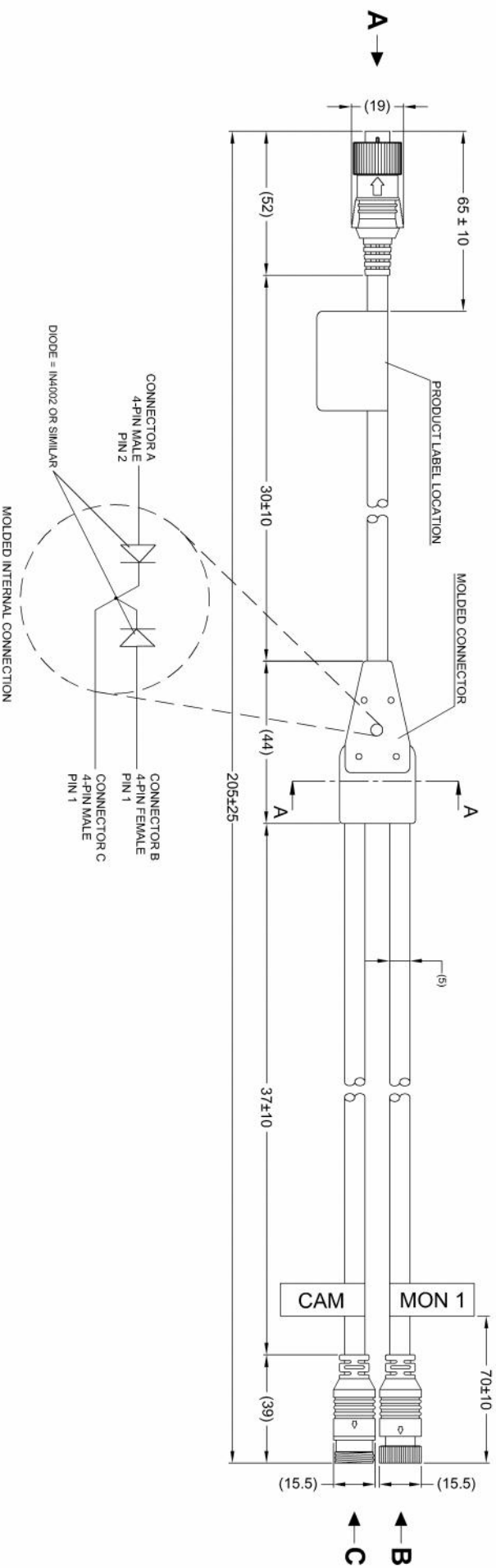
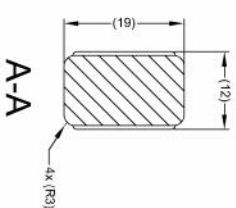


PIN #	WIRE COLOUR	DESCRIPTION
1	RED	12 VDC
2	BLACK/SH	GROUND
3	WHITE	AUDIO
4	YELLOW	VIDEO

CONNECTOR C



PIN #	WIRE COLOUR	DESCRIPTION
1	RED	12 VDC
2	BLACK/SH	GROUND
3	WHITE	AUDIO
4	YELLOW	VIDEO



- NOTES:**
1. FOR PRODUCT LABEL REFER TO LATEST REVISION OF DRAWING: BE-001500-01-11.
 2. INTERNAL WIRES SHOULD BE ONE CONTINUOUS LENGTH FROM CONNECTOR TO BLOCK.
 3. FOR MANUFACTURING CONTROLS PLEASE REFER TO ASSEMBLY PLANT DRAWING 48-5# REVISION 1.0.

PROPRIETARY NOTICE
 THIS DESIGN AND TECHNICAL INFORMATION APPEARING ON THIS DRAWING IS THE PROPERTY OF BRIGADE ELECTRONICS. AND IS DISCLOSED IN CONFIDENCE. IT IS NOT TO BE COPIED, REPRODUCED, REVEALED TO OR EXPROPRIATED BY OTHERS, EITHER IN WHOLE OR IN PART WITHOUT THE EXPRESS WRITTEN CONSENT OF BRIGADE ELECTRONICS.



Assembly Pt Approval S.ZENG - 12/12/11		Approved by D.KERAI		Checked by M.BUTLER		Drawn by J.NEWMAN	
Angle of Projection 	Status RELEASED	Units mm	Scale N/A	Released 20/03/12	Assembly Ref 48-5#	AC-301	
Part No 2904B		BE-001572-02-11					